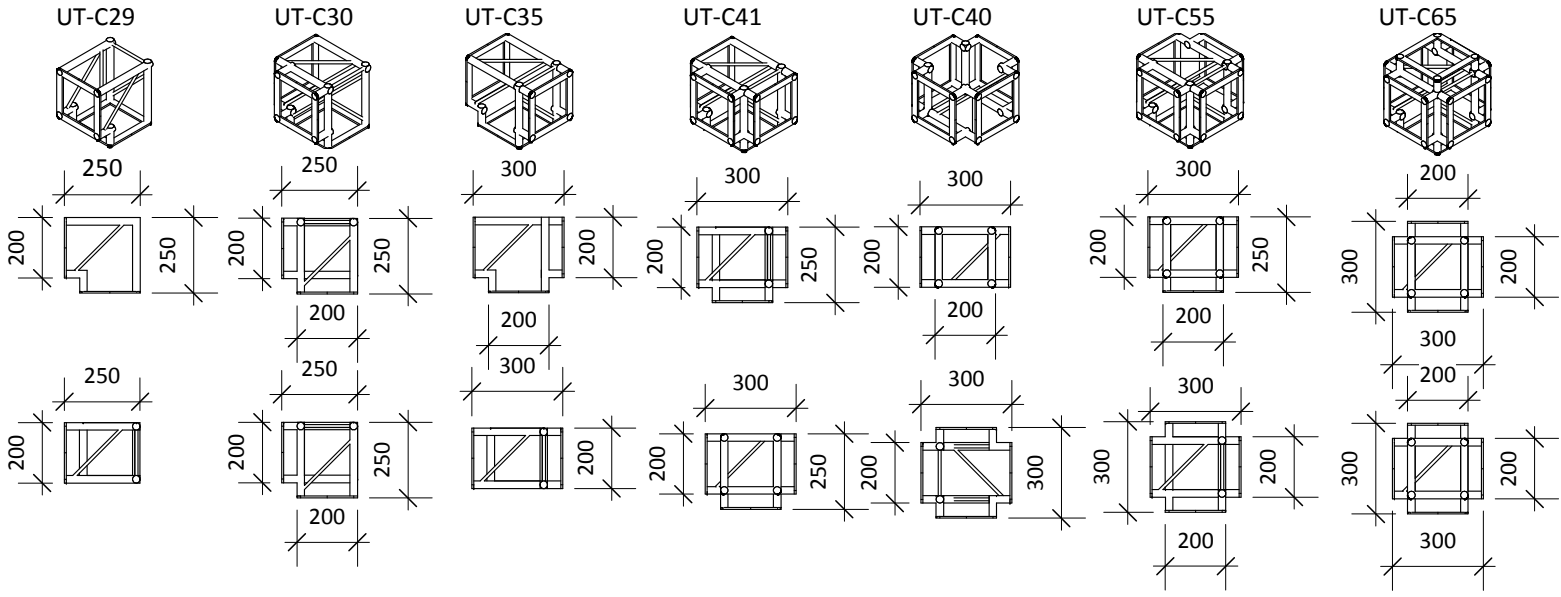
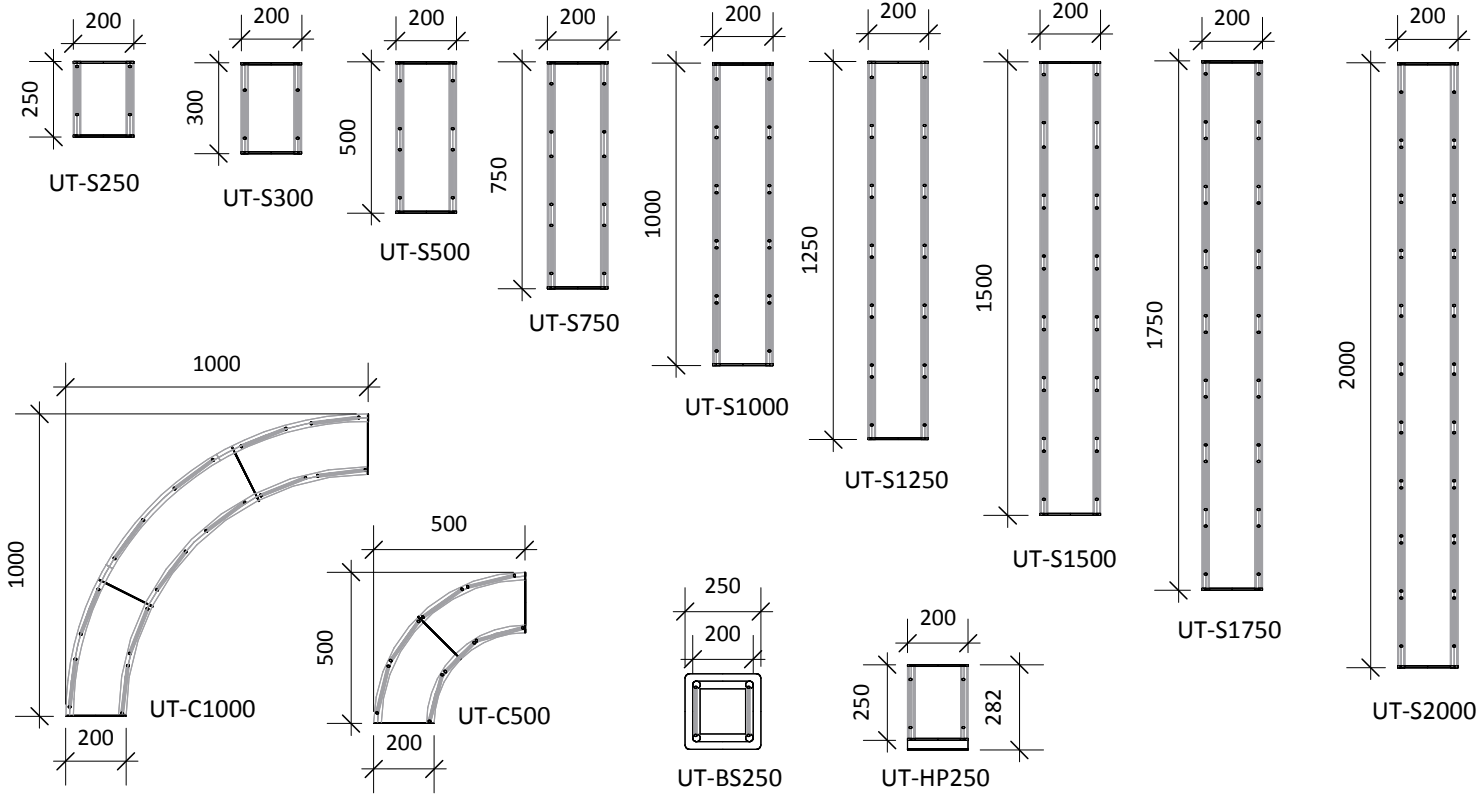


# ARENA 4 RANGE - MEASUREMENT DETAILS



ISOMETRIC VIEW

SIDE VIEW

PLAN VIEW